



Self Propelled Augers

Australian Designed & Built



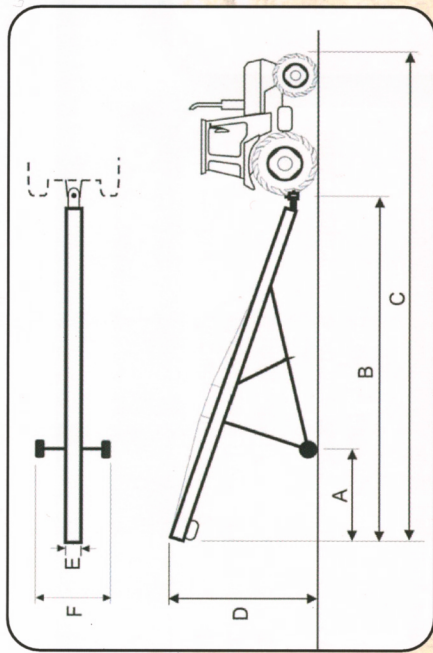
Self Propelled Augers

Australian Designed & Built

Transport Dimensions:

| Auger Size | A (Rear overhang) | B (Transport length) | C (Combination length) | D (Transport height) | E (Barrel width) | F (Transport width) |
|------------|----------------------|-------------------------|---------------------------|-------------------------|---------------------|------------------------|
| 35' | 4.7m | 11.0m | | 3.90m | 0.3m | 2.4m |
| 50' | 8.0m | 16.0m | | 4.45m | 0.3m | 2.6m |
| 60' | 9.8m | 19.2m | | 4.65m | 0.3m | 2.61m |

Please check and abide by the Road regulations for your respective area and state.



Manufactured by:
Jaeschke's of Tarranyurk Pty Ltd Trading as GrainRite

2653 Dimboola Rainbow Road, Tarranyurk Victoria 3414 Australia

Phone: 03 5397 5200 Email: info@grainrite.com.au

GrainRite reserves the right to change specifications, features and prices at any time prior to sale. Please check for changes before placing an order.



'The Green One'

High Capacity with 10.75" Barrel

Heavy Duty Barrel & Flighting

Easy Belt Adjustment

Move with Ease

www.grainrite.com.au

www.grainrite.com.au

Self Propelled Augers

Australian Designed & Built

Standard Features:

Hydraulic Cylinder Output Lift & Lower

Hydraulic Cylinder Steering

Hydraulic Cylinder Intake Lift

Hydraulic Forward and Reverse 3rd Wheel Ground Drive

Reversible Gearbox with Shift Lock

Electric Start Motor with Three Main Drive Belts

Direct Drive Hydraulic Pump

Cast Iron Drive Pulleys

Duplex Chain & Sprockets for Auger Drive

Triplex Chain & Sprockets for Auger Drive on 60'

Heavy Duty 5mm thick Pick-up flight

Heavy Duty Auger Flighting

Heavy Duty 2.75mm thick 10.75" Barrel

Heavy Duty RHS Undercarriage

Heavy Duty Motor Cradle with Quick Release Clutch

New Land Cruiser Wide Tyres & Rims

Aluminium Mud Guards

Trailer LED lighting attached to Mud Guards

Drive Wheel 10" Hyd Brakes

Removable, easy-fill 24 Litre Fuel Tank

Plastic Bucket Spouts attached to Outlet

Mounted Quick Release Fire Extinguisher 9lt water

Emergency Stop Switch fitted near Inlet

Detachable Quick Release Tow Hitch with Safety Chains

Quick Release Fully Enclosed Guard Covers

Mounted Seat for ease of moving the Auger

Oversize Sign fitted to all Augers

Operators Manual Holder

Backed by a one year parts and labour Warranty

Specifications:

Auger Length

35' (10.5mt)

50' (15mt)

60' (18mt)

Auger Barrel Diameter OD

10.75" (273mm)

10.75" (273mm)

10.75" (273mm)

Motor Size

33hp EFI Vanguard

35hp EFI Vanguard

37hp EFI Vanguard

Maximum Height (Approx.)

21' 6" (6.5mt)

35' 6" (10.7mt)

40' (12mt)

Working Height (Approx.)

17' (5.2mt)

30' (9.1mt)

35' (10.7mt)

Intake Flighting

5mm

5mm

5mm

Barrel Thickness

2.75mm

2.75mm

2.75mm

Lift Mechanism

Sliding A-Frame

Sliding A-Frame

Sliding A-Frame

Hydraulic Cylinders

3

3

3

Tyre Size

245/75R16LT-10PR

245/75R16LT-10PR

245/75R16LT-10PR

Optional:

Bean Flighting - Reduces damage to beans, extra clearance between flighting and barrel. Can reduce capacity on cereals.

Steel Hopper - Slim line design for use under field bins without hoppers.

Plastic Hopper - Heavy duty, large capacity with cleanout trap.

Cage Choke - Allows for manual regulation of heavy grain.

Tow-Ball Pull - A machinery hitch is provided standard with the Auger.

Rinse Kit - Water delivery system for barrel cleaning